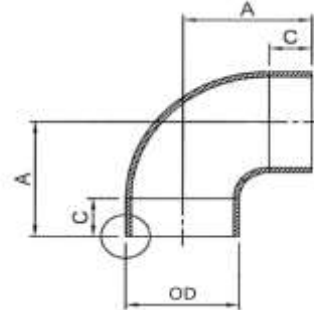


# SHORT RADIUS 90 DEGREE ELBOW NAVSEA DWG 810-1385880

## Buttweld, Class 200

90/10 Copper Nickel (UNS C70600)

70/30 Copper Nickel (UNS C71500)



DIMENSIONS						
NOMINAL PIPE SIZE	OD	A	C MIN	WEIGHT (lb)	TORK P/N 90/10	TORK P/N 70/30
1 1/2	1.9	2.19	0.69	0.5	<a href="#">M109677</a>	<a href="#">M110522</a>
2	2.375	2.72	0.72	1	<a href="#">M109678</a>	<a href="#">M110523</a>
2 1/2	2.875	3.38	0.88	1	<a href="#">M109679</a>	<a href="#">M110524</a>
3	3.5	3.91	0.91	2	<a href="#">M109680</a>	<a href="#">M110525</a>
3 1/2	4	4.44	0.94	2	<a href="#">M109681</a>	<a href="#">M110526</a>
4	4.5	4.97	0.97	3	<a href="#">M109682</a>	<a href="#">M110527</a>
5	5.563	6.09	1.09	6	<a href="#">M109683</a>	<a href="#">M110528</a>
6	6.625	7.17	1.17	11	<a href="#">M109684</a>	<a href="#">M110529</a>
8	8.625	9.38	1.38	19	<a href="#">M109685</a>	<a href="#">M110531</a>
10	10.75	11.56	1.56	36	<a href="#">M109686</a>	<a href="#">M110533</a>
12	12.75	13.69	1.69	66	<a href="#">M109687</a>	<a href="#">M110534</a>
14	14	14.5	0.5	80	<a href="#">M109688</a>	<a href="#">M110535</a>
16	16	16.5	0.5	105	<a href="#">M109689</a>	<a href="#">M110536</a>
18	18	18.5	0.5	131	<a href="#">M109690</a>	<a href="#">M110537</a>
20	20	20.5	0.5	162	<a href="#">M109691</a>	<a href="#">M110538</a>
22	22	22.5	0.5	196	<a href="#">Inquire</a>	<a href="#">Inquire</a>
24	24	24.5	0.5	233	<a href="#">M109692</a>	<a href="#">M110539</a>
26	26	26.5	0.5	276	<a href="#">Inquire</a>	<a href="#">Inquire</a>
30	30	30.5	0.5	363	<a href="#">Inquire</a>	<a href="#">Inquire</a>
36	36	36.5	0.5	521	<a href="#">Inquire</a>	<a href="#">Inquire</a>

The information provided is presented "as-is" at time of publication and is intended for reference purposes only.

Designs, specs information may be altered at any time without notice.