

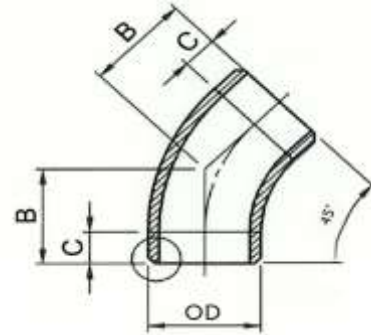
# LONG RADIUS 45 DEGREE ELBOW

## NAVSEA DWG 810-1385880

### Buttweld, Class 200

90/10 Copper Nickel (UNS C70600)

70/30 Copper Nickel (UNS C71500)



DIMENSIONS						
NOMINAL PIPE SIZE	OD	B (Min)	C (Min)	WEIGHT (lb)	TORK P/N 90/10	TORK P/N 70/30
1/4	0.540	0.700	0.28	0.03	<a href="#">Inquire</a>	<a href="#">Inquire</a>
3/8	0.675	0.890	0.38	0.04	<a href="#">Inquire</a>	<a href="#">Inquire</a>
1/2	0.840	1.060	0.44	0.05	<a href="#">M109694</a>	<a href="#">M110541</a>
3/4	1.050	0.940	0.47		<a href="#">M109695</a>	<a href="#">M110542</a>
1	1.315	1.130	0.50	0.10	<a href="#">M109696</a>	<a href="#">M110543</a>
1 1/4	1.660	1.690	0.56	0.20	<a href="#">M109697</a>	<a href="#">M110544</a>
1 1/2	1.900	1.630	0.69	0.30	<a href="#">M109698</a>	<a href="#">M110545</a>
2	2.375	1.970	0.72	0.50	<a href="#">M109699</a>	<a href="#">M110546</a>
2 1/2	2.875	2.440	0.88	0.80	<a href="#">M109700</a>	<a href="#">M110547</a>
3	3.500	2.770	0.91	1.20	<a href="#">M109701</a>	<a href="#">M110548</a>
3 1/2	4.000	3.170	0.94	2.00	<a href="#">M109702</a>	<a href="#">M110549</a>
4	4.500	3.450	0.97	3.00	<a href="#">M109703</a>	<a href="#">M110550</a>
5	5.563	4.200	1.09	5.00	<a href="#">M109704</a>	<a href="#">M110551</a>
6	6.625	4.910	1.17	9.00	<a href="#">M109705</a>	<a href="#">M110552</a>
8	8.625	6.340	1.38	19.00	<a href="#">M109707</a>	<a href="#">M110554</a>
10	10.750	7.780	1.56	38.00	<a href="#">M109709</a>	<a href="#">M110556</a>
12	12.750	9.140	1.69	45.00	<a href="#">M109710</a>	<a href="#">M110557</a>
14	14.000	9.250	0.50	60.00	<a href="#">M109711</a>	<a href="#">M110558</a>
16	16.000	10.500	0.50	79.00	<a href="#">M109712</a>	<a href="#">M110559</a>
18	18.000	11.750	0.50	100.00	<a href="#">M109713</a>	<a href="#">M110560</a>
20	20.000	13.000	0.50	122.00	<a href="#">M109714</a>	<a href="#">M110561</a>
22	22.000	14.000	0.50	148.00	<a href="#">M109715</a>	<a href="#">M110562</a>
24	24.000	15.500	0.50	175.00	<a href="#">M109716</a>	<a href="#">M110563</a>
30	30.000	19.000	0.50	272.00	<a href="#">Inquire</a>	<a href="#">Inquire</a>
36	36.000	22.750	0.50	391.00	<a href="#">Inquire</a>	<a href="#">Inquire</a>

The information provided is presented "as-is" at time of publication and is intended for reference purposes only.

Designs, specs information may be altered at any time without notice.