

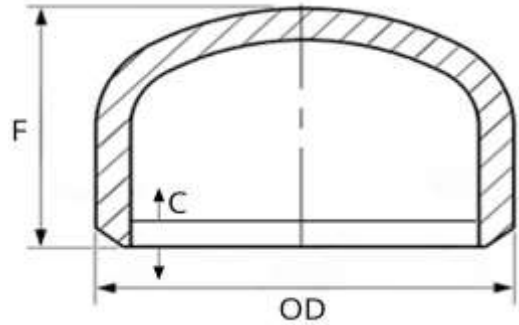
CAP

NAVSEA DWG 810-1385880

Buttweld, Class 200

90/10 Copper Nickel (UNS C70600)

70/30 Copper Nickel (UNS C71500)



DIMENSIONS						
NOMINAL PIPE SIZE	OD	C	F	WEIGHT (lb)	TORK P/N 90/10	TORK P/N 70/30
1	1.315	0.5	1.5	0.2	M110063	M110911
1 1/4	1.66	0.56	1.5	0.2	M110064	M110912
1 1/2	1.9	0.69	1.5	0.2	M110065	M110913
2	2.375	0.72	1.5	0.5	M110066	M110914
2 1/2	2.875	0.88	1.5	0.8	M110067	M110915
3	3.5	0.91	2	1	M110068	M110916
3 1/2	4	0.94	2.5	1.5	M110069	M110917
4	4.5	0.97	2.5	2	M110070	M110918
5	5.563	1.09	3	3	M110071	M110919
6	6.625	1.17	3.5	4.5	M110072	M110920
8	8.625	1.38	4	7	M110073	M110921
10	10.75	1.56	5	14	M110074	M110922
12	12.75	1.69	6	27	M110075	M110923
14	14			28	M110076	M110924
16	16			37	M110077	M110925
18	18			47	M110078	M110926
20	20			49	M110079	M110927
24	24			51	M110080	M110928

The information provided is presented "as-is" at time of publication and is intended for reference purposes only.

Designs, specs information may be altered at any time without notice.