

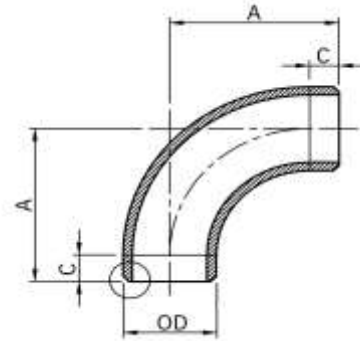
LONG RADIUS 90 DEGREE ELBOW

NAVSEA DWG 810-1385880

Buttweld, Class 200

90/10 Copper Nickel (UNS C70600)

70/30 Copper Nickel (UNS C71500)



DIMENSIONS

NOMINAL PIPE SIZE	OD	A	C MIN	WEIGHT (lb)	TORK P/N 90/10	TORK P/N 70/30
1/4	0.540	1.28	0.28	0.10	Inquire	Inquire
3/8	0.675	1.63	0.38	0.10	Inquire	Inquire
1/2	0.840	1.94	0.44	0.10	M109718	M110565
3/4	1.050	1.59	0.47	0.10	M109719	M110566
1	1.315	2.00	0.50	0.20	M109720	M110567
1 1/4	1.660	2.44	0.56	0.30	M109721	M110568
1 1/2	1.900	2.94	0.69	0.50	M109722	M110569
2	2.375	3.72	0.72	0.80	M109723	M110570
2 1/2	2.875	4.63	0.88	1.00	M109724	M110571
3	3.500	5.41	0.91	2.00	M109725	M110572
3 1/2	4.000	6.25	0.94	3.00	M109726	M110573
4	4.500	6.97	0.97	5.00	M109727	M110574
5	5.563	8.59	1.09	9.00	M109728	M110575
6	6.625	10.17	1.17	15.00	M109729	M110576
8	8.625	13.38	1.38	34.00	M109731	M110578
10	10.750	16.56	1.56	67.00	M109733	M110580
12	12.750	19.69	1.69	96.00	M109734	M110581
14	14.000	21.50	0.50	120.00	M109735	M110582
16	16.000	24.25	0.50	157.00	M109736	M110583
18	18.000	27.50	0.50	197.00	M109737	M110584
20	20.000	30.50	0.50	243.00	M109738	M110585
22	22.000	33.50	0.50	294.00	M109739	M110586
24	24.000	36.50	0.50	350.00	M109740	M110587
30	30.000	45.50	0.50	544.00	Inquire	Inquire
36	36.000	54.50	0.50	781.00	Inquire	Inquire

The information provided is presented "as-is" at time of publication and is intended for reference purposes only.

Designs, specs information may be altered at any time without notice.