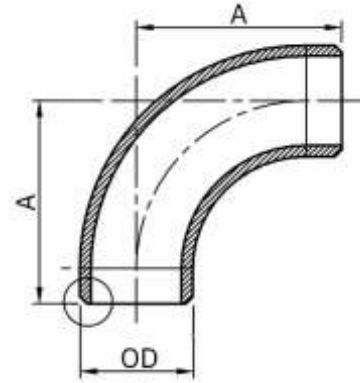


# LONG RADIUS 90 DEGREE ELBOW ANSI B16.9

## Buttweld, SCH40

304 and 316 STAINLESS STEEL



DIMENSIONS					
NOMINAL PIPE SIZE	OD	A	WEIGHT (lb)	TORK P/N 304SS	TORK P/N 316SS
1/2	0.840	1.94	0.10	<a href="#">M123755</a>	<a href="#">M126525</a>
3/4	1.050	1.59	0.10	<a href="#">M123757</a>	<a href="#">M126527</a>
1	1.315	2.00	0.20	<a href="#">M123759</a>	<a href="#">M126529</a>
1 1/4	1.660	2.44	0.30	<a href="#">M123761</a>	<a href="#">M126531</a>
1 1/2	1.900	2.94	0.50	<a href="#">M123763</a>	<a href="#">M126533</a>
2	2.375	3.72	0.80	<a href="#">M123765</a>	<a href="#">M126535</a>
2 1/2	2.875	4.63	1.00	<a href="#">M123767</a>	<a href="#">M126537</a>
3	3.500	5.41	2.00	<a href="#">M123769</a>	<a href="#">M126539</a>
3 1/2	4.000	6.25	3.00	<a href="#">M123771</a>	<a href="#">M126541</a>
4	4.500	6.97	5.00	<a href="#">M123773</a>	<a href="#">M126543</a>
5	5.563	8.59	9.00	<a href="#">M123775</a>	<a href="#">M126545</a>
6	6.625	10.17	15.00	<a href="#">M123777</a>	<a href="#">M126547</a>
8	8.625	13.38	34.00	<a href="#">M123779</a>	<a href="#">M126549</a>
10	10.750	16.56	67.00	<a href="#">Inquire</a>	<a href="#">Inquire</a>
12	12.750	19.69	96.00	<a href="#">Inquire</a>	<a href="#">Inquire</a>
14	14.000	21.50	120.00	<a href="#">Inquire</a>	<a href="#">Inquire</a>
16	16.000	24.25	157.00	<a href="#">Inquire</a>	<a href="#">Inquire</a>
18	18.000	27.50	197.00	<a href="#">Inquire</a>	<a href="#">Inquire</a>
20	20.000	30.50	243.00	<a href="#">Inquire</a>	<a href="#">Inquire</a>
22	22.000	33.50	294.00	<a href="#">Inquire</a>	<a href="#">Inquire</a>
24	24.000	36.50	350.00	<a href="#">Inquire</a>	<a href="#">Inquire</a>
30	30.000	45.50	544.00	<a href="#">Inquire</a>	<a href="#">Inquire</a>
36	36.000	54.50	781.00	<a href="#">Inquire</a>	<a href="#">Inquire</a>

The information provided is presented "as-is" at time of publication and is intended for reference purposes only.

Designs, specs information may be altered at any time without notice.