

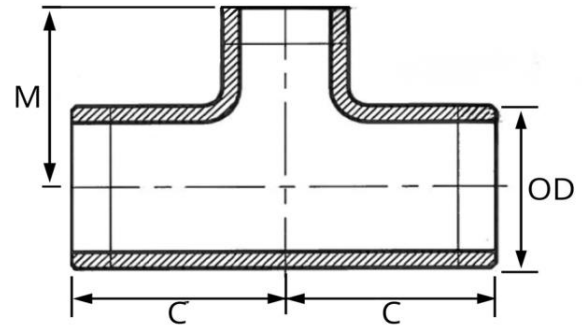
# REDUCING TEE

## ANSI B16.9

### Buttweld, Class 200

90/10 Copper Nickel (UNS C70600)

70/30 Copper Nickel (UNS C71500)



#### DIMENSIONS

NOMINAL PIPE SIZE	OD	C	M	WEIGHT (lb)	TORK P/N (90/10)	TORK P/N (70/30)
1 1/4 x 1 1/4 x 3/4	1.66 x 1.66 x 1.05	1.88	1.88	0.4	<a href="#">M139771</a>	<a href="#">M140116</a>
1 1/4 x 1 1/4 x 1	1.66 x 1.66 x 1.315	1.88	1.88	0.4	<a href="#">M139772</a>	<a href="#">M140117</a>
1 1/2 x 1 1/2 x 1/2	1.9 x 1.9 x 0.84	2.25	2.25	0.6	<a href="#">M139773</a>	<a href="#">M140118</a>
1 1/2 x 1 1/2 x 3/4	1.9 x 1.9 x 1.05	2.25	2.25	0.6	<a href="#">M139774</a>	<a href="#">M140119</a>
1 1/2 x 1 1/2 x 1	1.9 x 1.9 x 1.315	2.25	2.25	0.6	<a href="#">M139775</a>	<a href="#">M140120</a>
1 1/2 x 1 1/2 x 1 1/4	1.9 x 1.9 x 1.66	2.25	2.25	0.6	<a href="#">M139776</a>	<a href="#">M140121</a>
2 x 2 x 1/2	2.375 x 2.375 x 0.84	2.50	2.50	0.8	<a href="#">Inquire</a>	<a href="#">Inquire</a>
2 x 2 x 3/4	2.375 x 2.375 x 1.05	2.50	2.50	0.8	<a href="#">M139777</a>	<a href="#">Inquire</a>
2 x 2 x 1	2.375 x 2.375 x 1.315	2.50	2.50	0.8	<a href="#">M139778</a>	<a href="#">M140122</a>
2 x 2 x 1 1/4	2.375 x 2.375 x 1.66	2.50	2.50	0.8	<a href="#">M139779</a>	<a href="#">M140123</a>
2 x 2 x 1 1/2	2.375 x 2.375 x 1.9	2.50	2.50	1	<a href="#">M139780</a>	<a href="#">M140124</a>
2 1/2 x 2 1/2 x 1	2.875 x 2.875 x 1.315	3.00	3.00	1	<a href="#">M139781</a>	<a href="#">M140125</a>
2 1/2 x 2 1/2 x 1 1/4	2.875 x 2.875 x 1.66	3.00	3.00	1	<a href="#">M139782</a>	<a href="#">M140126</a>
2 1/2 x 2 1/2 x 1 1/2	2.875 x 2.875 x 1.9	3.00	3.00	1.5	<a href="#">M139783</a>	<a href="#">M140127</a>
2 1/2 x 2 1/2 x 2	2.875 x 2.875 x 2.375	3.00	3.00	1.5	<a href="#">M139784</a>	<a href="#">M140128</a>
3 x 3 x 1/2	3.5 x 3.5 x 0.84	3.38	3.38	2	<a href="#">Inquire</a>	<a href="#">Inquire</a>
3 x 3 x 3/4	3.5 x 3.5 x 1.05	3.38	3.38	2	<a href="#">Inquire</a>	<a href="#">Inquire</a>
3 x 3 x 1	3.5 x 3.5 x 1.315	3.38	3.38	2	<a href="#">M139787</a>	<a href="#">M140131</a>
3 x 3 x 1 1/4	3.5 x 3.5 x 1.66	3.38	3.38	2	<a href="#">M139788</a>	<a href="#">M140132</a>
3 x 3 x 1 1/2	3.5 x 3.5 x 1.9	3.38	3.38	2	<a href="#">M139789</a>	<a href="#">M140133</a>
3 x 3 x 2	3.5 x 3.5 x 2.375	3.38	3.38	2	<a href="#">M139790</a>	<a href="#">M140134</a>
3 x 3 x 2 1/2	3.5 x 3.5 x 2.875	3.38	3.38	2	<a href="#">M139791</a>	<a href="#">M140135</a>
3 1/2 x 3 1/2 x 1 1/2	4 x 4 x 1.9	3.75	3.75	3	<a href="#">M139794</a>	<a href="#">M140138</a>
3 1/2 x 3 1/2 x 2	4 x 4 x 2.375	3.75	3.75	3	<a href="#">M139795</a>	<a href="#">M140139</a>
3 1/2 x 3 1/2 x 2 1/2	4 x 4 x 2.875	3.75	3.75	3	<a href="#">M139796</a>	<a href="#">M140140</a>
3 1/2 x 3 1/2 x 3	4 x 4 x 3.5	3.75	3.75	4	<a href="#">M139797</a>	<a href="#">M140141</a>
4 x 4 x 1 1/2	4.5 x 4.5 x 1.9	4.13	4.13	4	<a href="#">M139799</a>	<a href="#">M140143</a>
4 x 4 x 2	4.5 x 4.5 x 2.375	4.13	4.13	4	<a href="#">M139800</a>	<a href="#">M140144</a>
4 x 4 x 2 1/2	4.5 x 4.5 x 2.875	4.13	4.13	4	<a href="#">M139801</a>	<a href="#">M140145</a>
4 x 4 x 3	4.5 x 4.5 x 3.5	4.13	4.13	4	<a href="#">M139802</a>	<a href="#">M140146</a>
4 x 4 x 3 1/2	4.5 x 4.5 x 4	4.13	4.13	4.5	<a href="#">M139803</a>	<a href="#">M140147</a>
5 x 5 x 2	5.56 x 5.56 x 2.375	4.88	4.88	7	<a href="#">M139805</a>	<a href="#">M140150</a>
5 x 5 x 2 1/2	5.56 x 5.56 x 2.875	4.88	4.88	7	<a href="#">M139806</a>	<a href="#">M140151</a>
5 x 5 x 3	5.56 x 5.56 x 3.5	4.88	4.88	7	<a href="#">M139807</a>	<a href="#">M140152</a>
5 x 5 x 3 1/2	5.56 x 5.56 x 4	4.88	4.88	7	<a href="#">M139808</a>	<a href="#">M140153</a>
5 x 5 x 4	5.56 x 5.56 x 4.5	4.88	4.88	7.5	<a href="#">M139809</a>	<a href="#">M140154</a>

The information provided is presented "as-is" at time of publication and is intended for reference purposes only.

Designs, specs information may be altered at any time without notice.

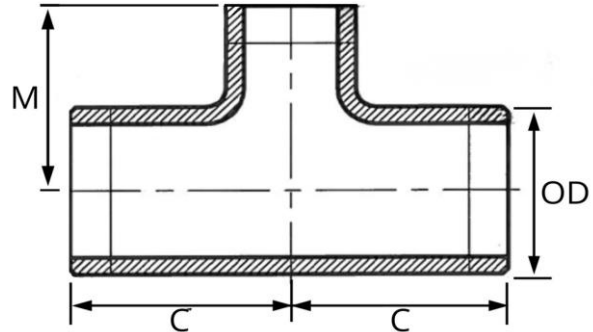
# REDUCING TEE

## ANSI B16.9

### Buttweld, Class 200

90/10 Copper Nickel (UNS C70600)

70/30 Copper Nickel (UNS C71500)



#### DIMENSIONS

NOMINAL PIPE SIZE	OD	C	M	WEIGHT (lb)	TORK P/N (90/10)	TORK P/N (70/30)
6 x 6 x 2	6.625 x 6.625 x 2.375	5.63	5.63	10	<a href="#">M139811</a>	<a href="#">M140156</a>
6 x 6 x 2 1/2	6.625 x 6.625 x 2.875	5.63	5.63	10	<a href="#">M139812</a>	<a href="#">M140157</a>
6 x 6 x 3	6.625 x 6.625 x 3.5	5.63	5.63	10	<a href="#">M139813</a>	<a href="#">M140158</a>
6 x 6 x 3 1/2	6.625 x 6.625 x 4	5.63	5.63	10	<a href="#">M139814</a>	<a href="#">M140159</a>
6 x 6 x 4	6.625 x 6.625 x 4.5	5.63	5.63	10.5	<a href="#">M139815</a>	<a href="#">M140160</a>
6 x 6 x 5	6.625 x 6.625 x 5.562	5.63	5.63	11	<a href="#">M139816</a>	<a href="#">M140161</a>
8 x 8 x 2 1/2	8.625 x 8.625 x 2.875	7.00	7.00	20	<a href="#">Inquire</a>	<a href="#">Inquire</a>
8 x 8 x 3	8.625 x 8.625 x 3.5	7.00	7.00	20	<a href="#">M139817</a>	<a href="#">M140162</a>
8 x 8 x 3 1/2	8.625 x 8.625 x 4	7.00	7.00	20	<a href="#">M139818</a>	<a href="#">M140163</a>
8 x 8 x 4	8.625 x 8.625 x 4.5	7.00	7.00	20.5	<a href="#">M139819</a>	<a href="#">M140164</a>
8 x 8 x 5	8.625 x 8.625 x 5.562	7.00	7.00	21	<a href="#">M139820</a>	<a href="#">M140165</a>
8 x 8 x 6	8.625 x 8.625 x 6.625	7.00	7.00	21.5	<a href="#">M139821</a>	<a href="#">M140166</a>
12 x 12 x 5	12.75 x 12.75 x 5.562	10.00	10.00	74	<a href="#">Inquire</a>	<a href="#">Inquire</a>
12 x 12 x 6	12.75 x 12.75 x 6.625	10.00	10.00	76	<a href="#">M139826</a>	<a href="#">M140171</a>
12 x 12 x 8	12.75 x 12.75 x 8.625	10.00	10.00	78	<a href="#">M139827</a>	<a href="#">M140172</a>
12 x 12 x 10	12.75 x 12.75 x 10.75	10.00	10.00	81	<a href="#">M139828</a>	<a href="#">M140173</a>
14 x 14 x 6	14 x 14 x 6.625	11.00	11.00	80	<a href="#">Inquire</a>	<a href="#">Inquire</a>
14 x 14 x 8	14 x 14 x 8.625	11.00	11.00	82	<a href="#">Inquire</a>	<a href="#">Inquire</a>
14 x 14 x 10	14 x 14 x 10.75	11.00	11.00	84	<a href="#">Inquire</a>	<a href="#">Inquire</a>
14 x 14 x 12	14 x 14 x 12.75	11.00	11.00	86	<a href="#">M139829</a>	<a href="#">M140174</a>
16 x 16 x 8	16 x 16 x 8.625	12.00	12.00	102	<a href="#">Inquire</a>	<a href="#">Inquire</a>
16 x 16 x 10	16 x 16 x 10.75	12.00	12.00	105	<a href="#">Inquire</a>	<a href="#">M140175</a>
16 x 16 x 12	16 x 16 x 12.75	12.00	12.00	107	<a href="#">Inquire</a>	<a href="#">Inquire</a>
16 x 16 x 14	16 x 16 x 14	12.00	12.00	109	<a href="#">Inquire</a>	<a href="#">Inquire</a>
18 x 18 x 10	18 x 18 x 10.75	13.50	13.50	127	<a href="#">Inquire</a>	<a href="#">Inquire</a>
18 x 18 x 12	18 x 18 x 12.75	13.50	13.50	130	<a href="#">Inquire</a>	<a href="#">Inquire</a>
18 x 18 x 14	18 x 18 x 14	13.50	13.50	133	<a href="#">Inquire</a>	<a href="#">Inquire</a>
18 x 18 x 16	18 x 18 x 16	13.50	13.50	135	<a href="#">Inquire</a>	<a href="#">Inquire</a>
20 x 20 x 12	20 x 20 x 12.75	15.00	15.00	153	<a href="#">Inquire</a>	<a href="#">Inquire</a>
20 x 20 x 14	20 x 20 x 14	15.00	15.00	156	<a href="#">Inquire</a>	<a href="#">Inquire</a>
20 x 20 x 16	20 x 20 x 16	15.00	15.00	158	<a href="#">Inquire</a>	<a href="#">Inquire</a>
20 x 20 x 18	20 x 20 x 18	15.00	15.00	140	<a href="#">Inquire</a>	<a href="#">Inquire</a>
24 x 24 x 14	24 x 24 x 14	17.00	17.00	204	<a href="#">Inquire</a>	<a href="#">Inquire</a>
24 x 24 x 16	24 x 24 x 16	17.00	17.00	208	<a href="#">Inquire</a>	<a href="#">Inquire</a>
24 x 24 x 18	24 x 24 x 18	17.00	17.00	211	<a href="#">Inquire</a>	<a href="#">Inquire</a>
24 x 24 x 20	24 x 24 x 20	17.00	17.00	214	<a href="#">Inquire</a>	<a href="#">Inquire</a>

The information provided is presented "as-is" at time of publication and is intended for reference purposes only.

Designs, specs information may be altered at any time without notice.

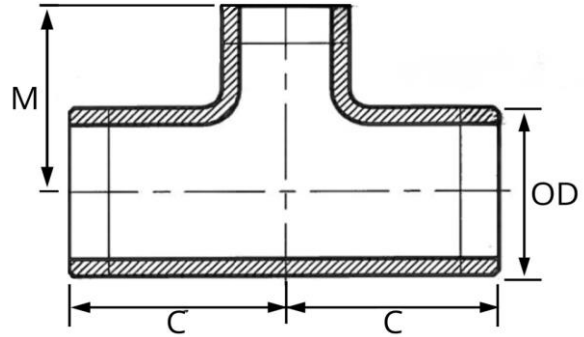
# REDUCING TEE

## ANSI B16.9

### Buttweld, Class 200

90/10 Copper Nickel (UNS C70600)

70/30 Copper Nickel (UNS C71500)



**DIMENSIONS**

NOMINAL PIPE SIZE				OD				C	M	WEIGHT (lb)	TORK P/N (90/10)	TORK P/N (70/30)		
30	x	30	x	18	30	x	30	x	18	22.00	22.00	256	<a href="#">Inquire</a>	<a href="#">Inquire</a>
30	x	30	x	20	30	x	30	x	20	22.00	22.00	261	<a href="#">Inquire</a>	<a href="#">Inquire</a>
30	x	30	x	24	30	x	30	x	24	22.00	22.00	267	<a href="#">Inquire</a>	<a href="#">Inquire</a>
36	x	36	x	20	36	x	36	x	20	26.50	26.50	306	<a href="#">Inquire</a>	<a href="#">Inquire</a>
36	x	36	x	24	36	x	36	x	24	26.50	26.50	314	<a href="#">Inquire</a>	<a href="#">Inquire</a>
36	x	36	x	30	36	x	36	x	30	26.50	26.50	322	<a href="#">Inquire</a>	<a href="#">Inquire</a>

The information provided is presented "as-is" at time of publication and is intended for reference purposes only.

Designs, specs information may be altered at any time without notice.