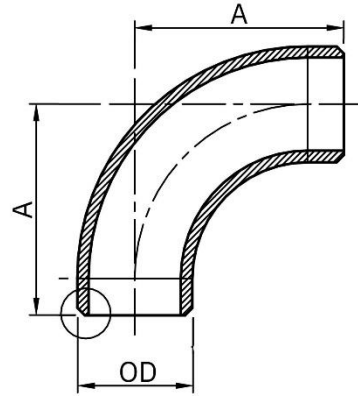


LONG RADIUS 90 DEGREE ELBOW ANSI B16.9

Buttweld, Class 200

90/10 Copper Nickel (UNS C70600)

70/30 Copper Nickel (UNS C71500)



DIMENSIONS					
NOMINAL PIPE SIZE	OD	A	WEIGHT (lb)	TORK P/N 90/10	TORK P/N 70/30
1/2	0.840	1.94	0.10	M139729	M140050
3/4	1.050	1.59	0.10	M139730	M140051
1	1.315	2.00	0.20	M139731	M140052
1 1/4	1.660	2.44	0.30	M139732	M140053
1 1/2	1.900	2.94	0.50	M139733	M140054
2	2.375	3.72	0.80	M139734	M140055
2 1/2	2.875	4.63	1.00	M139735	M140056
3	3.500	5.41	2.00	M139736	M140057
3 1/2	4.000	6.25	3.00	M139737	M140058
4	4.500	6.97	5.00	M139738	M140059
5	5.563	8.59	9.00	M139739	M140060
6	6.625	10.17	15.00	M139740	M140061
8	8.625	13.38	34.00	M139742	M140063
10	10.750	16.56	67.00	M139744	M140065
12	12.750	19.69	96.00	M139745	M140066
14	14.000	21.50	120.00	M139746	M140067
16	16.000	24.25	157.00	M139747	M140068
18	18.000	27.50	197.00	M139748	M140069
20	20.000	30.50	243.00	M139749	M140070
22	22.000	33.50	294.00	M139750	M140071
24	24.000	36.50	350.00	M139751	M140072
30	30.000	45.50	544.00	Inquire	Inquire
36	36.000	54.50	781.00	Inquire	Inquire

The information provided is presented "as-is" at time of publication and is intended for reference purposes only.

Designs, specs information may be altered at any time without notice.